

DESIGN & PERFORMANCE

Sleek, modern and built with durable stainless steel, the Roti-Roaster rotisserie combines elegance with functionality. Its "ROTISSERIE" screen-printed glass doors and powerful interior lighting beautifully showcase your products while they cook. Designed for efficiency, it features a front-load design with a closed back for optimal performance.

Cleaning is effortless with removable accessories, interior panels, and a drip pan, ensuring convenience and hygiene. Engineered for high output, rapid cooking, and superior roasting, this rotisserie is built to last. Fully insulated with energy-efficient heating elements, it minimizes energy consumption while maximizing performance *helping you save on costs without compromising quality.*

ENERGY & COST-EFFICIENT K-GLASS

Designed for superior energy efficiency, the Roti-Roaster features insulated, double-glazed K-GLASS doors. The inner pane is coated with a specialized thin metal layer that regulates heat transfer, providing exceptional resistance to thermal radiation. This advanced design reduces energy consumption, lowers operational costs, and maximizes savings.

Additionally, K-GLASS minimizes heat emission in the kitchen, creating a cooler and more comfortable workspace for your team. The enhanced insulation also improves safety by preventing burns upon contact with the door surfaces, ensuring a secure cooking environment.



FBP5.360 + FBP5.360MSTO (optional base cabinet)



CONTROL PANEL



Standard (Default)

With 6 preset programs
+ manual control



Touch (Optional)

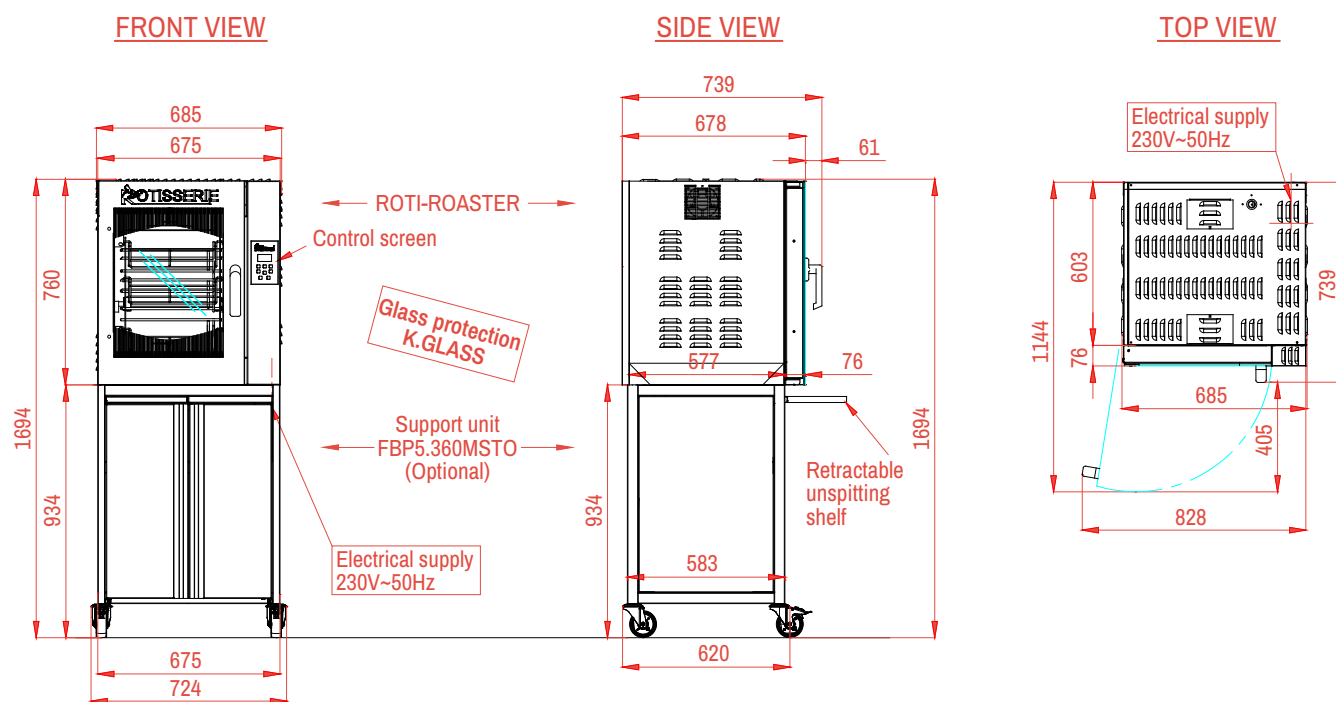
Multiple recipes + manual control
(+ can add up to 99 programs)

TECHNICAL CHARACTERISTICS

- Fully insulated with rock wool (Bio-soluble aluminum encapsulation)
- K-Glass thermal double glazing mounted on silicone seal (anti-scald front panel)
- Control panel with 6 cooking programs
- Delivered with cooking baskets BALD320
- Enters auto hold at the end of the cooking cycle

ACCESSORIES (OPTIONAL)

BALD320 Basket for poultry	BAP320 Small cuts basket	PD320 Vegetable tray	PLC320 Cooking basket	BCRA320 Spatchcock spit	BV320 Chicken spit (fork)



SPECIFICATIONS

Weight	100kg
Capacity of poultrys	5 / 10
Number of baskets	5
Doors	1 double glazed door (anti-scald K.Glass)
Internal lighting	Halogen lamps protected by glass cover
Power supply	1 Phase (230V~50Hz)
Electrical power	4kW
Wire length	2m
Temperature and Time control	Digital control or optional TOUCH Screen
Cooking cycle alarm	Yes
Internal presentation	Central axis, support and removable baskets



FBP5.360 + FBP.PIED



Revised: March 2025



DISTRIBUTOR / AGENT

Rotisol S.A.S.

Zone industrielle La Trentaine, Avenue Gustave Eiffel

77507 Chelles cedex - FRANCE

s.bennell@rotisol.com - Tel : +33 1 64 21 80 00

www.rotisol.com